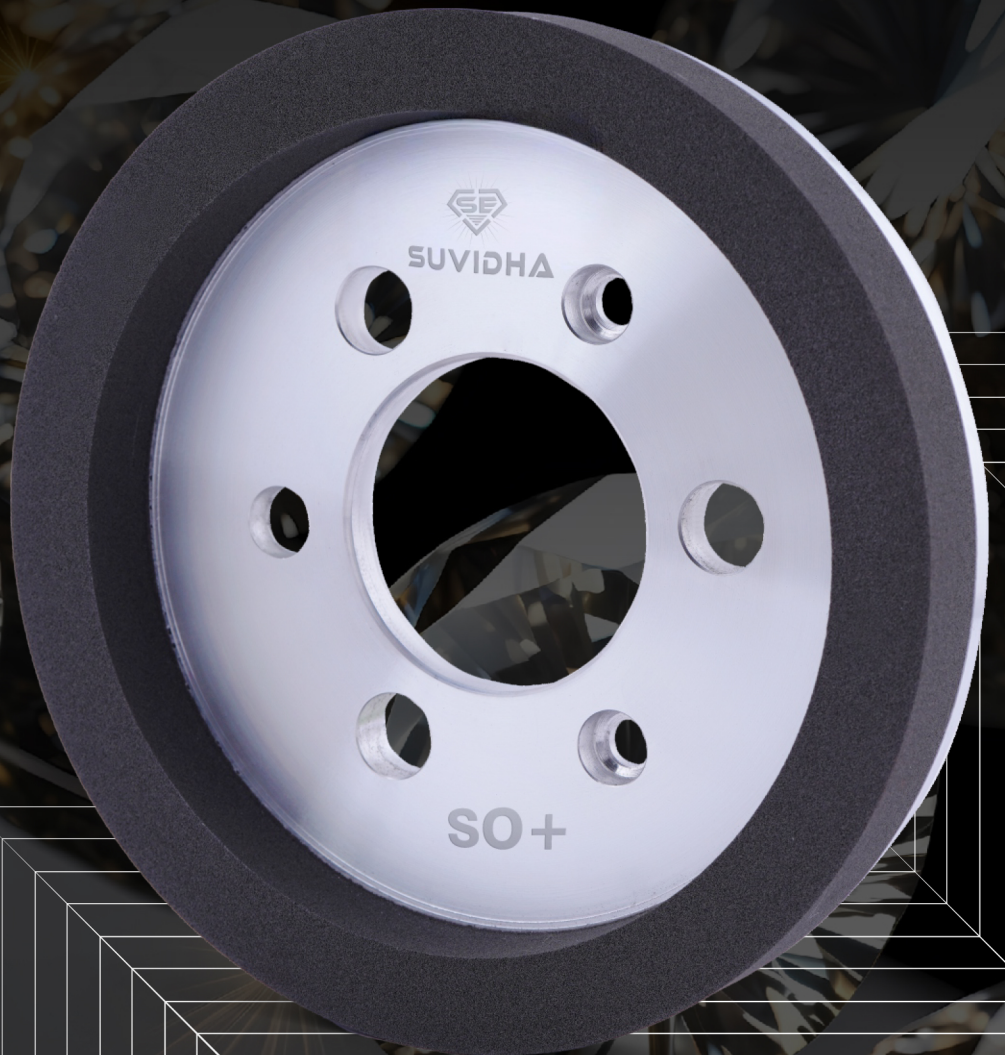




SVIDHA

ENGINEERING



AUG-2024

SOT CUP WHEEL CATALOGUE



SO+

MODULE NAME : **SO+**

COLOR : **Black** ●

TYPE OF USE : **High Pressure Stone**



SB-1

MODULE NAME : **SB-1**

COLOR : **Green** ●

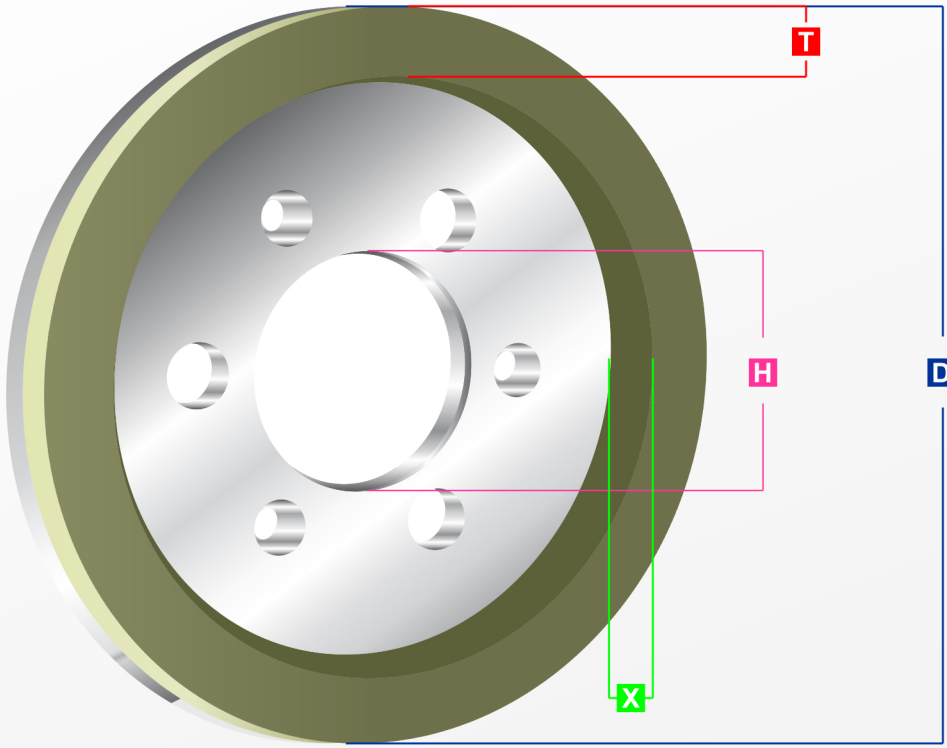
TYPE OF USE : **Normal Pressure Stone**

ABOUT US

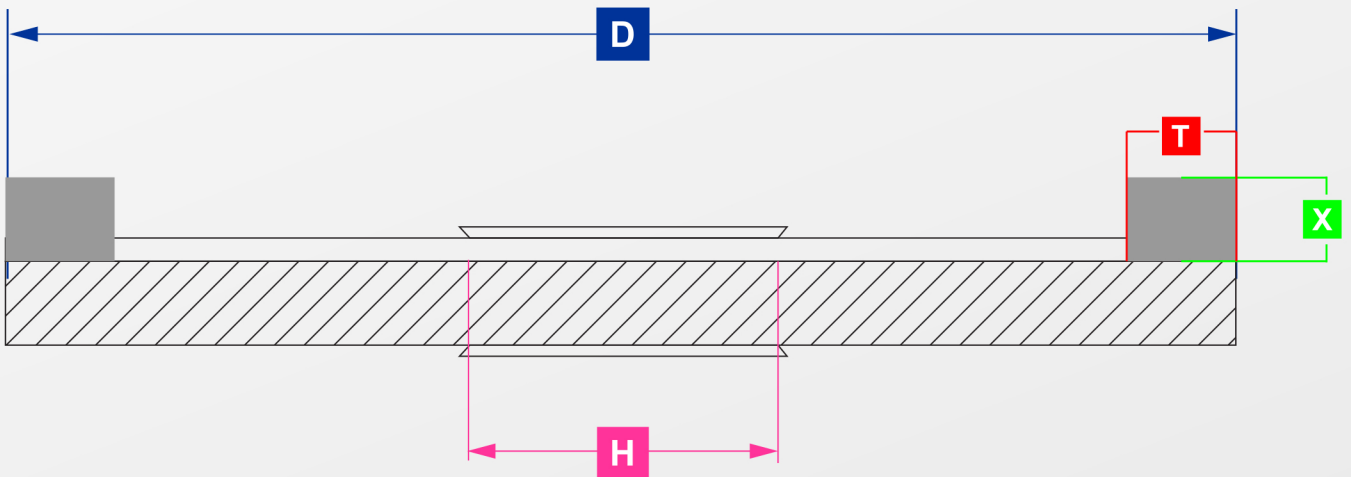
A resourceful engineered product, this tool is extensively efficient for several processes in manufacturing of a diamond. Ideally used in 'OPTIMUS 1.2' machines, this tool enhances cutting and practically annuls any chances for damages. Applications of this tool includes bruting, crown coning, table, pavilion coning and blocking. This multi-purpose tool consists fast cutting proficiency that reduces the friction leading to lesser noise, this ensures its effectiveness.



TECHNICAL DETAILS



SO+
SB-1



DIMENSIONAL DATA

D <u>D</u>	T <u>T</u>	X <u>X</u>	H <u>H</u>
152mm	15mm	16.5mm	50mm

**Yash
Manubhai**

+91 63563 83150

+91 98251 34261



SUVIDHA

**Manufacturer and Exporter
Premium Quality Diamonds Wheels**

suvidhaengineeringsurat@gmail.com

107, Diwali Baug Ind. Estate, Ankur Chowkdi, A.K. Road, Surat-6.