



SVIDHA

ENGINEERING



AUG-2024

SOT BRUTING WHEEL CATALOGUE



SR-3

MODULE NAME : **SR-3**

COLOR : **Black** ●

TYPE OF USE : **High Pressure Stone**



SR-2

MODULE NAME : **SR-2**

COLOR : **Green** ●

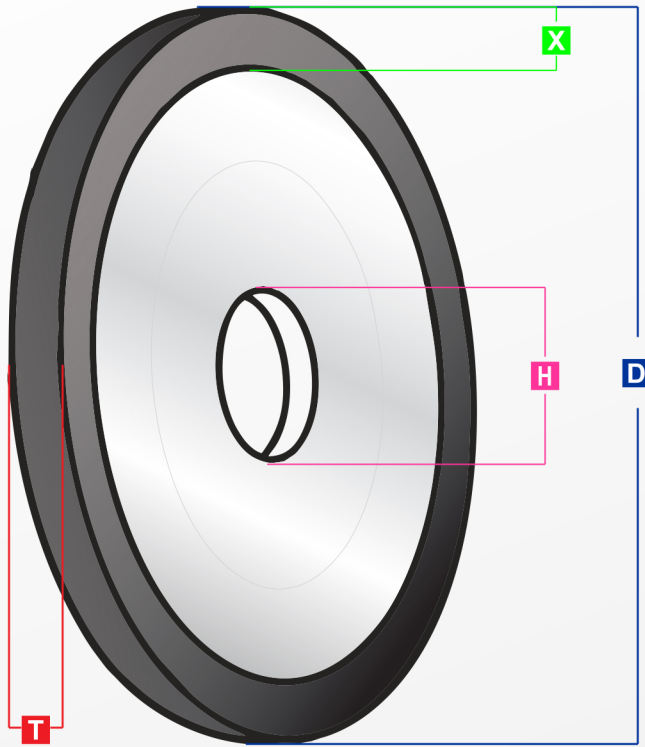
TYPE OF USE : **Normal Pressure Stone**

ABOUT US

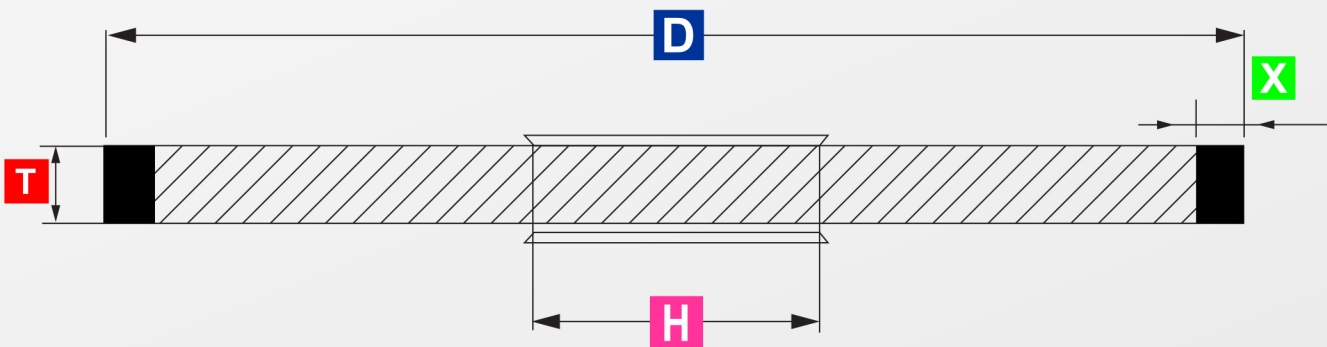
Green and black bruting wheels are developed to determine increase in the output economically. Without compromising on the quality of the product, this cost-effective tool can be relied for high production output. Its characteristics of fast cutting and smooth carried operations is suitable for bruting pointed diamonds



TECHNICAL DETAILS



SR-3
SR-2



DIMENSIONAL DATA

D <u>D</u>	T <u>T</u>	X <u>X</u>	H <u>H</u>
175mm	10mm	15mm	32mm
175mm	8mm	15mm	32mm

**Yash
Manubhai**

+91 63563 83150

+91 98251 34261



SUVIDHA

**Manufacturer and Exporter
Premium Quality Diamonds Wheels**

suvidhaengineeringsurat@gmail.com

107, Diwali Baug Ind. Estate, Ankur Chowkdi, A.K. Road, Surat-6.